
Comfort-Cire®

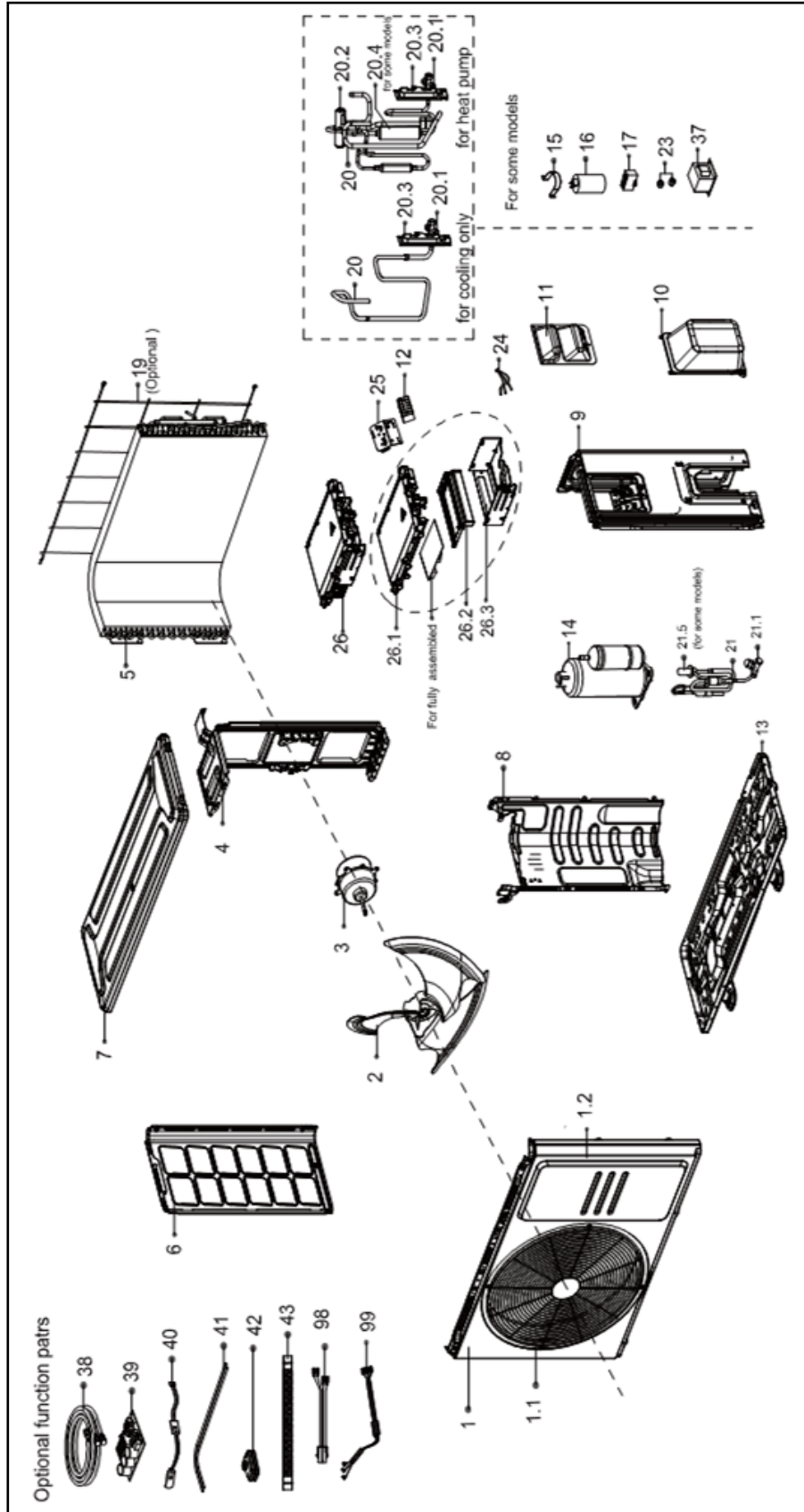
Century®

PARTS LIST

**Inverter Single Zone
Outdoor Ductless Mini-Split**

A-VMH06SV-1

EXPLODED VIEW



REPLACEMENT PARTS

| Location | Part Name | Quantity | Part No. |
|----------|--|----------|----------------|
| 1 | Front panel assembly | 1 | 12222000A06317 |
| 1.1 | Air outlet grille | 1 | 12222000A06091 |
| 1.2 | Front panel | 1 | 12222000A06318 |
| 2 | Axial flow fan | 1 | 12100105000961 |
| 3 | Brushless DC Motor | 1 | 11002015012128 |
| 4 | Supporter of fan motor | 1 | 12222000013233 |
| 5 | Condenser assembly | 1 | 15822000010742 |
| 6 | Left supporter | 1 | 12222000013238 |
| 7 | Top cover assembly | 1 | 12222000013240 |
| 8 | Partition board assembly | 1 | 12222000013665 |
| 9 | Right clapboard assembly | 1 | 12222000013225 |
| 10 | Water collector | 1 | 12122000007150 |
| 11 | Big handle assembly | 1 | 12222000010966 |
| 12 | Terminal | 1 | 17400401000068 |
| 13 | Chassis assembly | 1 | 12222000013431 |
| 14 | DC Inverter rotary compressor | 1 | 11103020005082 |
| 19 | Rear net | 1 | 12222000015606 |
| 20 | 4-way Valve Assembly | 1 | 15422000017913 |
| 20.1 | Gas valve | 1 | 15500204000021 |
| 20.2 | 4-way valve | 1 | 15500216001903 |
| 20.3 | Valve plate | 1 | 12222200005738 |
| 20.4 | Muffler Subassembly | 1 | 15122000026302 |
| 21 | Liquid valve assembly | 1 | 15422000018014 |
| 21.1 | Liquid valve | 1 | 15500208000028 |
| 21.5 | Electronic expansion valve subassembly | 1 | 15500213000047 |
| 23 | Copper nut | 1 | 15500406000016 |
| 23 | Copper nut | 1 | 15500406000010 |
| 24 | Combination sensor | 1 | 11201011000067 |
| 25 | Terminal board | 1 | 12222000002259 |
| 26 | Electronic control box subassembly | 1 | 17222000037700 |
| 26.1 | Support of electronic control box | 1 | 12122000024223 |
| 26.2 | Fixing board | 1 | 12122000024222 |
| 26.3 | Electronic installing box subassembly | 1 | 12222000012106 |
| 40 | Crankcase electric heating strip | 1 | 17402001000600 |
| 41 | Electric heating tube | 1 | 17402002000464 |
| 43 | Drain pipe | 1 | 12100509000059 |
| 99 | Compressor wire subassembly | 1 | 17401203012697 |

Due to ongoing product improvements, specifications and dimensions are subject to change and correction without notice or incurring obligations. Determining the application and suitability for use of any product is the responsibility of the installer. Additionally, the installer is responsible for verifying dimensional data on the actual product prior to beginning any installation preparations.

Incentive and rebate programs have precise requirements as to product performance and certification. All products meet applicable regulations in effect on date of manufacture; however, certifications are not necessarily granted for the life of a product. Therefore, it is the responsibility of the applicant to determine whether a specific model qualifies for these incentive/rebate programs.

Comfort-Aire® **Century**®

1900 Wellworth Ave., Jackson, MI 49203 • Ph. 517-787-2100 • www.marsdelivers.com

